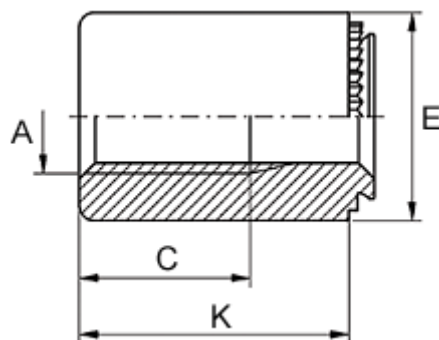


Data Sheet



Article number: 12519800040500
Description: KLEE-coil 519 800 040.500
M4 Stainless 1.4305

Measures



| | |
|---------------------------------|--------------|
| Female thread A | = M4 |
| Height K | = 19 |
| Min distance to edge | = 4.0 |
| Outer diameter E | = 8 |
| Plate thickness | = 0.8 to 1.0 |
| Recommended bore diameter +0.05 | = 5.00 |
| Thread length | = 8.0 |